

SECTION **RAX**  
REAR AXLE

A  
B  
C

RAX

CONTENTS

E

<b>SERVICE INFORMATION</b> .....	2	<b>WHEEL HUB</b> .....	4	F
<b>PREPARATION</b> .....	2	On-Vehicle Inspection and Service .....	4	
Commercial Service Tool .....	2	Removal and Installation .....	4	G
<b>NOISE, VIBRATION AND HARSHNESS</b>		<b>SERVICE DATA AND SPECIFICATIONS</b>		
<b>(NVH) TROUBLESHOOTING</b> .....	3	<b>(SDS)</b> .....	6	H
NVH Troubleshooting Chart .....	3	Wheel Bearing .....	6	I

I

J

K

L

M

N

O

P

# PREPARATION

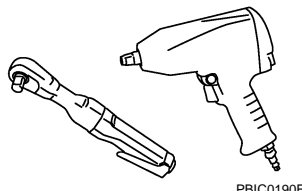
< SERVICE INFORMATION >

## SERVICE INFORMATION

### PREPARATION

#### Commercial Service Tool

INFOID:000000001851231

Tool name	Description
Power tool 	Removing wheel nuts

# NOISE, VIBRATION AND HARSHNESS (NVH) TROUBLESHOOTING

< SERVICE INFORMATION >

## NOISE, VIBRATION AND HARSHNESS (NVH) TROUBLESHOOTING

### NVH Troubleshooting Chart

INFOID:000000001851232

Use chart below to help you find the cause of the symptom. If necessary, repair or replace these parts.

Reference page		RAX-4		"NVH Troubleshooting Chart"		RSU-4, "NVH Troubleshooting Chart"		WT-4, "NVH Troubleshooting Chart"		WT-4, "NVH Troubleshooting Chart"		BR-4, "NVH Troubleshooting Chart"		PS-6, "NVH Troubleshooting Chart"				
		RAX-4		"NVH Troubleshooting Chart"		RSU-4, "NVH Troubleshooting Chart"		WT-4, "NVH Troubleshooting Chart"		WT-4, "NVH Troubleshooting Chart"		BR-4, "NVH Troubleshooting Chart"		PS-6, "NVH Troubleshooting Chart"				
Possible cause and SUSPECTED PARTS		Improper installation, looseness		Wheel bearing damage		Rear axle		REAR SUSPENSION		TIRES		ROAD WHEEL		BRAKES		STEERING		
Symptom	REAR AXLE	Noise	x	x	x	x	x	x	x	x	x	x	x	x	x	x	x	
		Shake	x		x	x	x	x	x	x	x	x	x	x	x	x	x	x
		Vibration	x	x	x	x	x	x	x	x	x	x	x	x	x	x	x	x
		Shimmy	x		x	x	x	x	x	x	x	x	x	x	x	x	x	x
		Judder	x		x	x	x	x	x	x	x	x	x	x	x	x	x	x
		Poor quality ride or handling	x	x	x	x	x	x	x	x	x	x	x	x	x	x	x	x

x: Applicable

A  
B  
C  
RAX  
E  
F  
G  
H  
I  
J  
K  
L  
M  
N  
O  
P

# WHEEL HUB

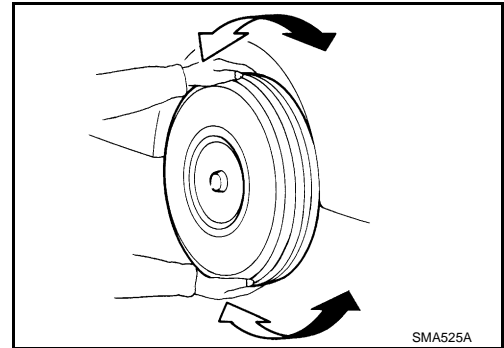
< SERVICE INFORMATION >

## WHEEL HUB

### On-Vehicle Inspection and Service

INFOID:000000001851233

- Check the axle and suspension parts for excessive play, wear, or damage.
- Shake each rear wheel to check for excessive play as shown.



### REAR WHEEL BEARING INSPECTION

- Move wheel hub and bearing assembly in the axial direction by hand. Make sure the axial end play is within specification.

**Axial end play : 0.05 mm (0.002 in) or less**

- Check that the wheel hub bearing operates smoothly.
- Replace the wheel hub assembly if the axial end play exceeds specification, or if the wheel bearing does not turn smoothly. Refer to [RAX-4. "Removal and Installation"](#).

#### **CAUTION:**

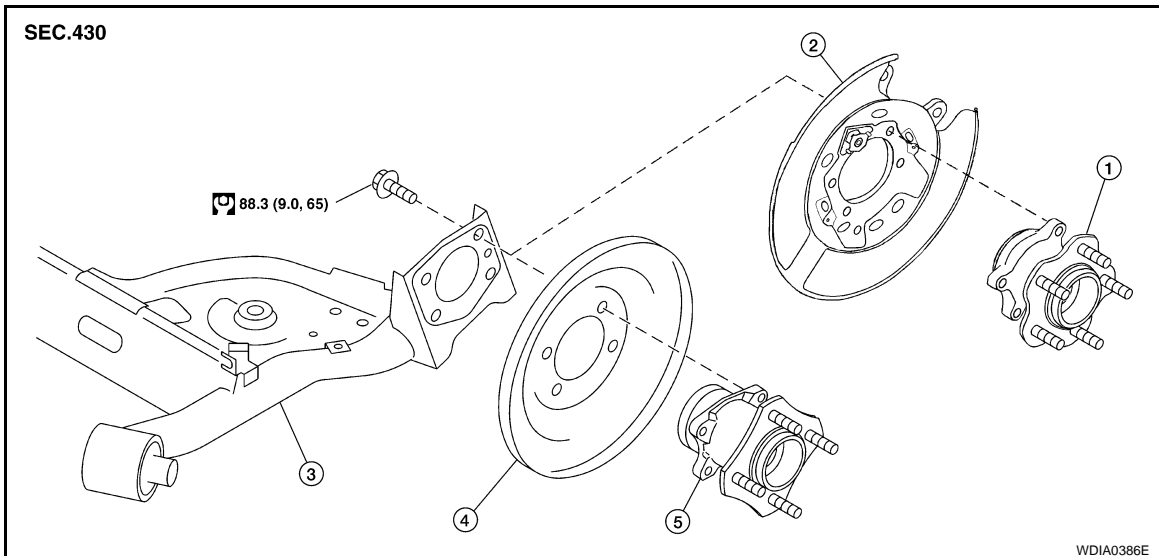
**The wheel hub assembly does not require maintenance. If any of the following symptoms are noted, replace the wheel hub assembly.**

- Growling noise is emitted from the wheel hub bearing during operation.
- Wheel hub bearing drags or turns roughly.

### Removal and Installation

INFOID:000000001851234

### COMPONENTS



- |  |  |                         |
|--|--|-------------------------|
| 1. Wheel hub and bearing assembly (disc brake) | 2. Baffle plate                                | 3. Rear suspension beam |
| 4. Back plate                                  | 5. Wheel hub and bearing assembly (drum brake) |                         |

### REMOVAL

## RAX-4

# WHEEL HUB

## < SERVICE INFORMATION >

---

1. Remove rear tires using power tool.
2. Remove wheel sensor from wheel hub and bearing assembly, if equipped. Refer to [BRC-31](#).  
**CAUTION:**  
**Do not pull on wheel sensor harness.**
3. Remove the brake assembly. Refer to [BR-34, "Removal and Installation of Drum Brake Assembly"](#) or [BR-29, "Removal and Installation of Caliper Assembly"](#).
4. Remove wheel hub and bearing assembly bolts, and then remove wheel hub and bearing assembly.
5. Remove baffle plate or back plate, if necessary.
  - a. Remove parking brake rear cable from baffle plate or back plate. Refer to [PB-4](#).
  - b. Separate brake tube from wheel cylinder, if equipped. Refer to [BR-10](#).

### INSPECTION AFTER REMOVAL

Check for any deformity, cracks, or other damage on the wheel hub assembly, replace if necessary.

#### **CAUTION:**

**The wheel hub assembly does not require maintenance. If any of the following symptoms are noted, replace the wheel hub assembly.**

- **Growling noise is emitted from the wheel hub bearing during operation.**
- **Wheel hub bearing drags or turns roughly.**

### INSTALLATION

Installation is in the reverse order of removal.

A  
B  
C  
RAX  
E  
F  
G  
H  
I  
J  
K  
L  
M  
N  
O  
P

# SERVICE DATA AND SPECIFICATIONS (SDS)

< SERVICE INFORMATION >

---

## SERVICE DATA AND SPECIFICATIONS (SDS)

### Wheel Bearing

INFOID:000000001851235

---

Axial end play	0.05 mm (0.002 in) or less
----------------	----------------------------

---