

SECTION **EX**
EXHAUST SYSTEM



CONTENTS

MR20DE	QR25DE
SERVICE INFORMATION 2	SERVICE INFORMATION 5
PRECAUTIONS 2	PRECAUTIONS 5
Precaution for Supplemental Restraint System (SRS) "AIR BAG" and "SEAT BELT PRE-TENSIONER"2	Precaution for Supplemental Restraint System (SRS) "AIR BAG" and "SEAT BELT PRE-TENSIONER" 5
EXHAUST SYSTEM 3	EXHAUST SYSTEM 6
Checking Exhaust System3	Checking Exhaust System 6
Component3	Component 6
Removal and Installation3	Removal and Installation 6

A
C
D
E
F
G
H
I
J
K
L
M
N
O
P

SERVICE INFORMATION

PRECAUTIONS

Precaution for Supplemental Restraint System (SRS) "AIR BAG" and "SEAT BELT PRE-TENSIONER"

INFOID:000000002995140

The Supplemental Restraint System such as "AIR BAG" and "SEAT BELT PRE-TENSIONER", used along with a front seat belt, helps to reduce the risk or severity of injury to the driver and front passenger for certain types of collision. This system includes seat belt switch inputs and dual stage front air bag modules. The SRS system uses the seat belt switches to determine the front air bag deployment, and may only deploy one front air bag, depending on the severity of a collision and whether the front occupants are belted or unbelted. Information necessary to service the system safely is included in the SRS and SB section of this Service Manual.

WARNING:

- To avoid rendering the SRS inoperative, which could increase the risk of personal injury or death in the event of a collision which would result in air bag inflation, all maintenance must be performed by an authorized NISSAN/INFINITI dealer.
- Improper maintenance, including incorrect removal and installation of the SRS, can lead to personal injury caused by unintentional activation of the system. For removal of Spiral Cable and Air Bag Module, see the SRS section.
- Do not use electrical test equipment on any circuit related to the SRS unless instructed to in this Service Manual. SRS wiring harnesses can be identified by yellow and/or orange harnesses or harness connectors.

EXHAUST SYSTEM

< SERVICE INFORMATION >

[MR20DE]

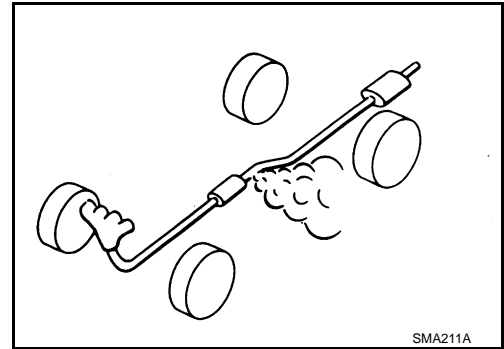
EXHAUST SYSTEM

Checking Exhaust System

INFOID:000000001850822

Check exhaust pipes, muffler and mounting for improper attachment, leaks, cracks, damage or deterioration.

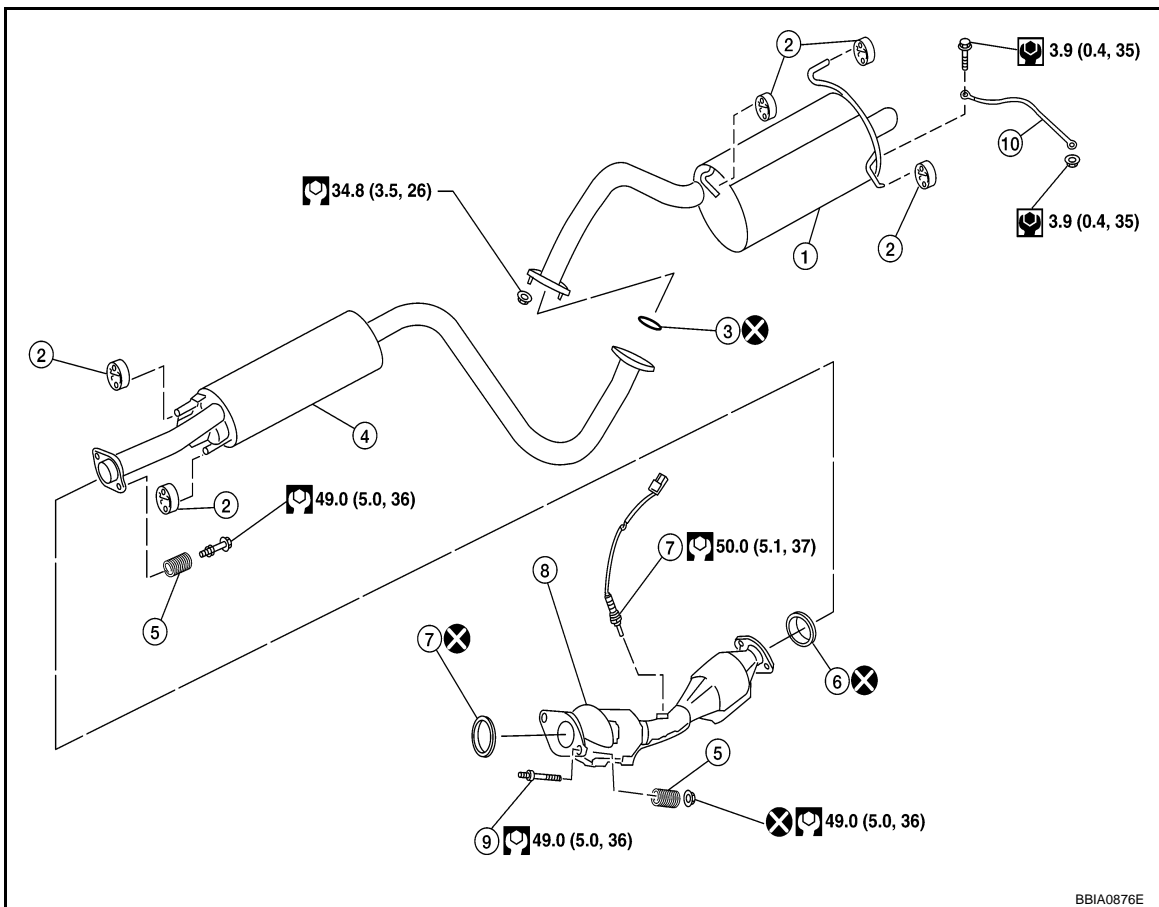
- If necessary, repair or replace damaged parts.



Component

INFOID:000000001850823

MR20DE Models



- | | | |
|---------------------------|-----------------------|-----------------|
| 1. Main muffler | 2. Mounting rubber | 3. Ring gasket |
| 4. Center muffler | 5. Spring | 6. Seal bearing |
| 7. Heated oxygen sensor 2 | 8. Exhaust front tube | 9. Stud bolt |
| 10. Ground cable | | |

Removal and Installation

INFOID:000000001850824

REMOVAL

CAUTION:

EXHAUST SYSTEM

[MR20DE]

< SERVICE INFORMATION >

- Be sure to use genuine NISSAN exhaust system parts or equivalents which are specially designed for heat resistance, corrosion resistance and shape.
- Perform the operation with the exhaust system fully cooled down because the system will be hot just after the engine stops.
- Be careful not to cut your hand on heat insulator edge.

1. Disconnect harness connector of heated oxygen sensor 2.
 - Using Tool, remove heated oxygen sensor 2.

CAUTION:

Be careful not to damage heated oxygen sensor 2.

Tool number : KV10114400 (J-38365)

2. Disconnect each joint and mounting rubber.

INSTALLATION

Installation is in the reverse order of removal.

CAUTION:

- Always replace exhaust gaskets and seal bearings with new ones when installing.
- Discard any heated oxygen sensor 2 which has been dropped from a height of more than 0.5 m (19.7 in) onto a hard surface such as a concrete floor; use a new one.
- Before installing a new heated oxygen sensor 2, clean exhaust system threads using the heated oxygen sensor thread cleaner and apply anti-seize lubricant (commercial service tool).
- Do not over tighten heated oxygen sensor 2. Doing so may cause damage to the heated oxygen sensor 2, resulting in the "MIL" coming on.
- Remove deposits from the sealing surface of each connection. Connect them securely to avoid exhaust leakage.
- Temporarily tighten nuts on the exhaust manifold side and bolts on the vehicle side. Check each part for unusual interference, and then tighten them to the specified torque.
- When installing each mounting rubber, avoid twisting or unusual extension in up/down and right/left directions.

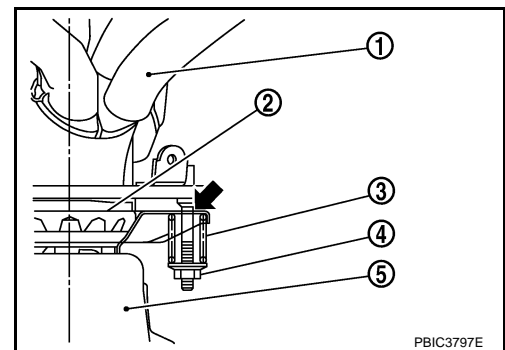
Exhaust Manifold to Exhaust Front Tube

1. Securely insert seal bearing (2) into exhaust manifold (1) side in the direction shown.
 - Exhaust front tube (5)

CAUTION:

Be careful not to damage seal bearing surface when installing.

2. Install spring (3), tighten nut (4).
 - Be careful that the stud bolt nut does not interfere with the flanged area (←).
 - Make sure the spring (3) sits properly on the flange surface by align it to the locator dimples.



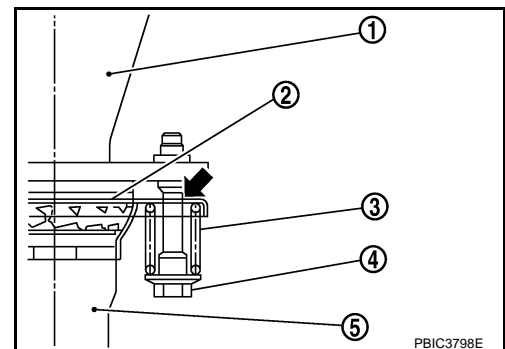
Exhaust Front Tube to Center Muffler

1. Securely insert seal bearing (2) into exhaust front tube (1) side in the direction shown.
 - Center muffler (5)

CAUTION:

Be careful not to damage seal bearing surface when installing.

2. With spring (3), tighten bolt (4).
 - Be careful that the stud bolt does not interfere with the flanged area (←).



INSPECTION AFTER INSTALLATION

- With the engine running, check exhaust tube joints for exhaust leakage and unusual noise.
- Check to ensure that brackets and mounting rubbers are installed properly and free from undue stress. Improper installation could result in excessive noise and vibration.

SERVICE INFORMATION

PRECAUTIONS

Precaution for Supplemental Restraint System (SRS) "AIR BAG" and "SEAT BELT PRE-TENSIONER"

INFOID:000000002995144

The Supplemental Restraint System such as "AIR BAG" and "SEAT BELT PRE-TENSIONER", used along with a front seat belt, helps to reduce the risk or severity of injury to the driver and front passenger for certain types of collision. This system includes seat belt switch inputs and dual stage front air bag modules. The SRS system uses the seat belt switches to determine the front air bag deployment, and may only deploy one front air bag, depending on the severity of a collision and whether the front occupants are belted or unbelted. Information necessary to service the system safely is included in the SRS and SB section of this Service Manual.

WARNING:

- To avoid rendering the SRS inoperative, which could increase the risk of personal injury or death in the event of a collision which would result in air bag inflation, all maintenance must be performed by an authorized NISSAN/INFINITI dealer.
- Improper maintenance, including incorrect removal and installation of the SRS, can lead to personal injury caused by unintentional activation of the system. For removal of Spiral Cable and Air Bag Module, see the SRS section.
- Do not use electrical test equipment on any circuit related to the SRS unless instructed to in this Service Manual. SRS wiring harnesses can be identified by yellow and/or orange harnesses or harness connectors.

A
EX
C
D
E
F
G
H
I
J
K
L
M
N
O
P

EXHAUST SYSTEM

< SERVICE INFORMATION >

[QR25DE]

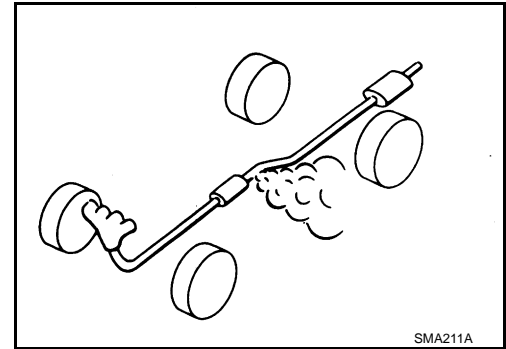
EXHAUST SYSTEM

Checking Exhaust System

INFOID:000000001850825

Check exhaust pipes, muffler and mounting for improper attachment, leaks, cracks, damage or deterioration.

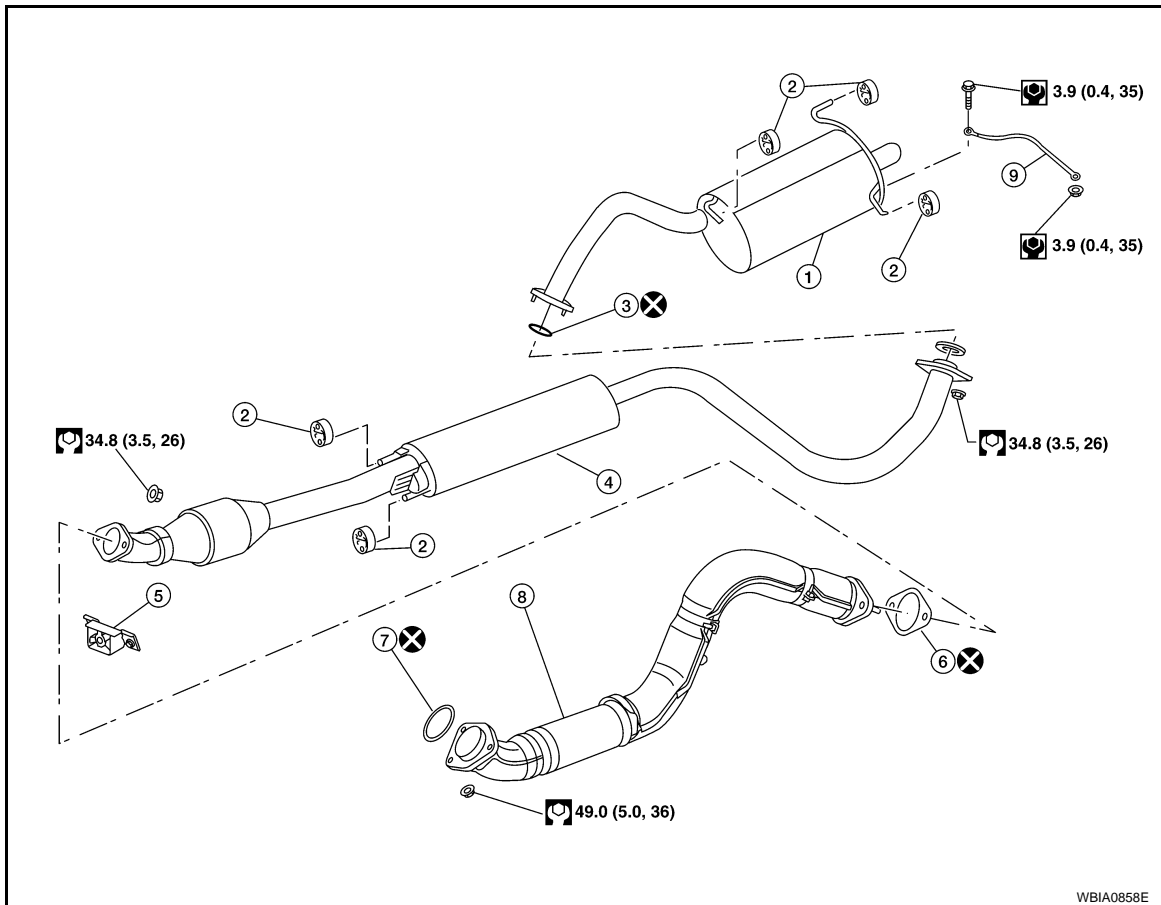
- If necessary, repair or replace damaged parts.



Component

INFOID:000000001850826

QR25DE Models



- | | | |
|-------------------|--|-----------------|
| 1. Main muffler | 2. Mounting rubber | 3. Ring gasket |
| 4. Center muffler | 5. Front exhaust tube mounting bracket | 6. Gasket |
| 7. Seal bearing | 8. Exhaust front tube | 9. Ground cable |

Removal and Installation

INFOID:000000001850827

REMOVAL

CAUTION:

- Be sure to use genuine NISSAN exhaust system parts or equivalents which are specially designed for heat resistance, corrosion resistance and shape.

EXHAUST SYSTEM

< SERVICE INFORMATION >

[QR25DE]

- Perform the operation with the exhaust system fully cooled down because the system will be hot just after the engine stops.
- Be careful not to cut your hand on heat insulator edge.

1. Remove exhaust components using power tools.
2. Disconnect each joint and mounting rubber.

INSTALLATION

Installation is in the reverse order of removal.

CAUTION:

- Always replace exhaust gaskets and seal bearings with new ones when installing.
- Temporarily tighten nuts on the exhaust manifold side and bolts on the vehicle side. Check each part for unusual interference, and then tighten them to the specified torque.
- When installing each mounting rubber, avoid twisting or unusual extension in up/down and right/left directions.

INSPECTION AFTER INSTALLATION

- With the engine running, check exhaust tube joints for exhaust leakage and unusual noise.
- Check to ensure that brackets and mounting rubbers are installed properly and free from undue stress. Improper installation could result in excessive noise and vibration.

A

EX

C

D

E

F

G

H

I

J

K

L

M

N

O

P